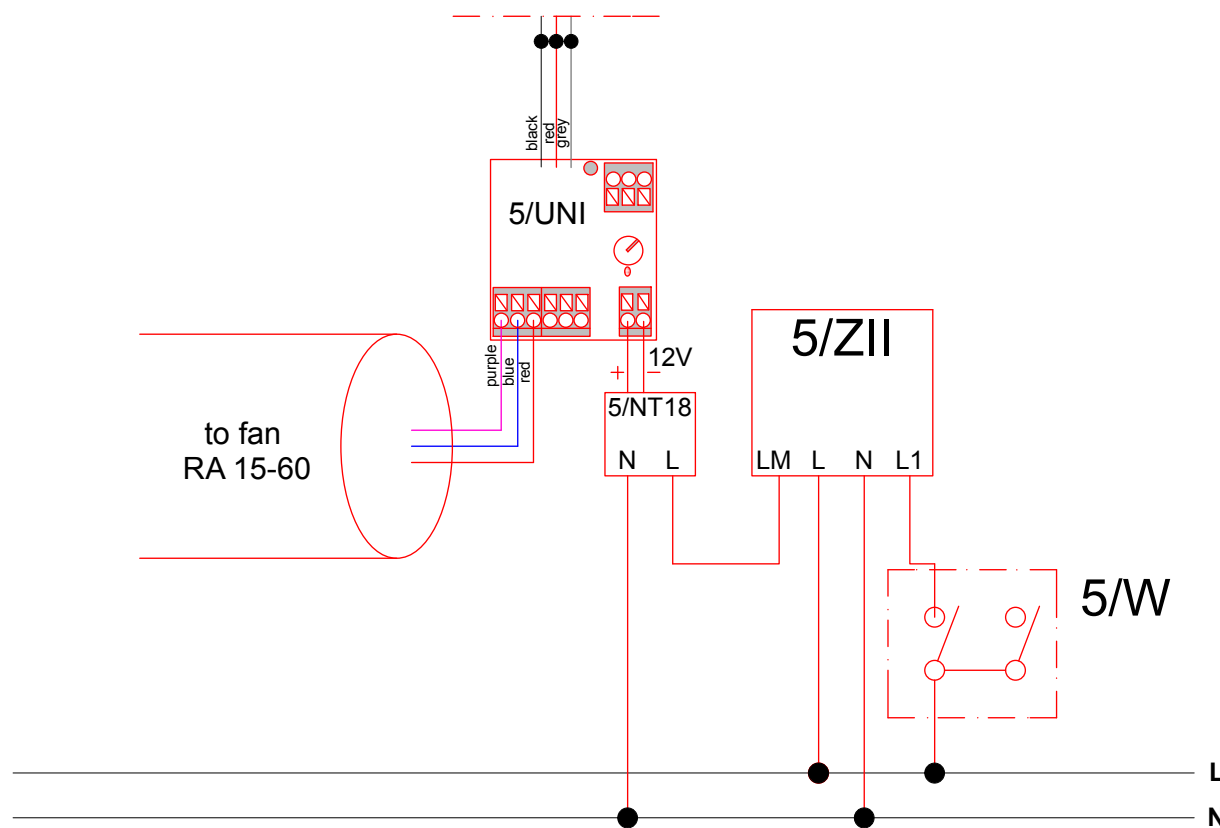


Special wiring diagram for the exhaust fan RA 15-60 + 5/ZII + 5/NT18 (5/NT60)



For the dimensioning 0/45 m³/h all cables have to be wired together (black, red, grey).

Important: basic setting of the coding switch (5/UNI) always on 0!

Für die Auslegung 0/60 m³/h sind alle drei Litzen (schwarz, rot, grau) miteinander zu verbinden.

Important: basic setting of the coding switch (5/UNI) always on 1!